

Single Phase Inverter

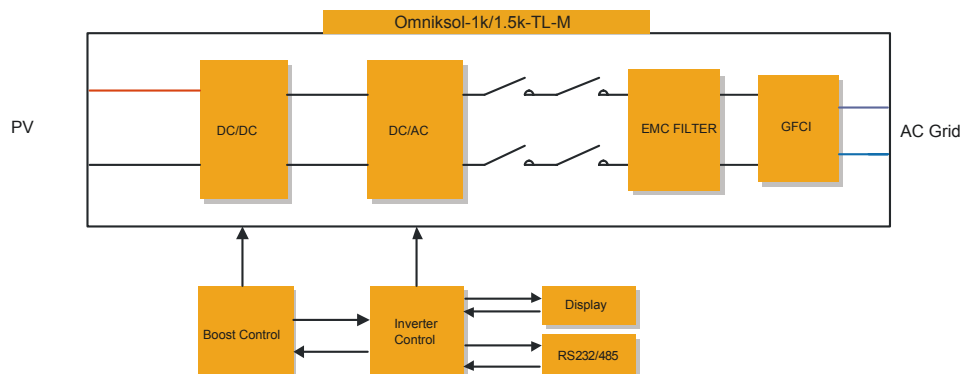
Omniksol-1k/1.5k-TL-M



Features

- Transformerless design, high efficiency (Max. 95.5%, Euro 94.2%)
- High MPPT accuracy (>99.9%)
- Wide DC input range (60-300 Vdc), compatible with 2 to 7 panel installation
- Easy to wire, install and operate
- IP65 design, suitable for indoor and outdoor installation
- 5 years warranty (10~25 years optional)

Block Diagram



Technical Data

Omniksol-1k/1.5k-TL-M

Type	Omniksol-1k-TL-M	Omniksol-1.5k-TL-M
Input (DC)		
Max. PV Power	1.25kW	1.5kW
Max DC Voltage	400V	400V
Operating MPPT Voltage Range	60-300V	60-300V
MPPT Voltage Range at Nominal Power	100-300V	125-300V
Start up DC Voltage	70V	70V
Turn off DC Voltage	50V	50V
Max. DC Current	10A	10A
Max. Short Circuit Current for each MPPT	12A	12A
Number of MPPT trackers	1	1
Number of DC Connections for each MPPT	1	1
DC Connection Type	MC4 Connector	MC4 Connector
Output (AC)		
Max. AC Apparent Power	1000VA	1250VA
Nominal AC Power (cos phi = 1)	1000W	1250W
Nominal Grid Voltage	220V/230V/240V	220V/230V/240V
Nominal Grid Frequency	50Hz/60Hz	50Hz/60Hz
Max. AC Current	5.0A	6.25A
Grid Voltage Range*	185-276V	185-276V
Grid Frequency Range*	45-55Hz/55-65Hz	45-55Hz/55-65Hz
Power Factor	>0.99	>0.99
Total Harmonic Distortion (THD)	<3%	<3%
Feed in Starting Power	30W	30W
Night time Power Consumption	<1W	<1W
Standby Consumption	6W	6W
AC Connection Type	Plug-in connector	Plug-in connector
Efficiency		
Max. Efficiency (at 360Vdc)	95.5%	95.5%
Euro Efficiency (at 360Vdc)	94.2%	94.2%
MPPT Efficiency	99.9%	99.9%
Safety and Protection		
DC Insulation Monitoring	Yes	Yes
DC Switch	Optional	Optional
Residual Current Monitoring Unit (RCMU)	Integrated	Integrated
Grid Monitoring with Anti-islanding	Yes	Yes
Protection Class	I (According to IEC 62103)	I (According to IEC 62103)
Overvoltage Category	PV II / Mains III (According to IEC 62109-1)	PV II / Mains III (According to IEC 62109-1)
Reference Standard		
Safety Standard	ENEN 62109, AS/NZS3100	
EMC Standard	EN 61000-6-1, EN 61000-6-3, EN 61000-6-2, EN 61000-6-4, EN61000-3-2, EN61000-3-3	
Grid Standard	VDE 0126-1-1, RD1663, C10/11, G83/2, UTE C15-712-1, AS4777, CQC,CEI0-21, EN50438	
Physical Structure		
Dimensions (WxHxD)	210x297x90mm	
Weight	5.5kg	
Environmental Protection Rating	IP65 (According to IEC 60529)	
Cooling Concept	Natural convection	
Mounting Information	Wall bracket	
General Data		
Operating Temperature Range	-25°C to +60°C(derating above 45°C)	
Relative Humidity	0% to 98%, no condensation	
Max. Altitude (above sea level)	2000m	
Noise Level	< 40dB	
Isolation Type	Transformerless	
Display	2 LED, Backlight, 16*2 Character LCD	
Data Communication Interfaces	(RS485, WIFI, GPRS optional)	
Computer Communication	RS232 as option	
Standard Warranty	5 Years	

*The AC voltage and frequency range may vary depending on specific country grid

Address: No.80,XinZeRoad,SIP,
215123, SuZhou, China
Tel: +86-512-6956-8216
Fax: +86-512-6295-6682
E-mail: sales@omnik-solar.com
Website: http://www.omnik-solar.com

Products updating continues. Any data change will not be informed exclusively.
Omnik company reserves the right of final interpretation of product technical data and copyrights.